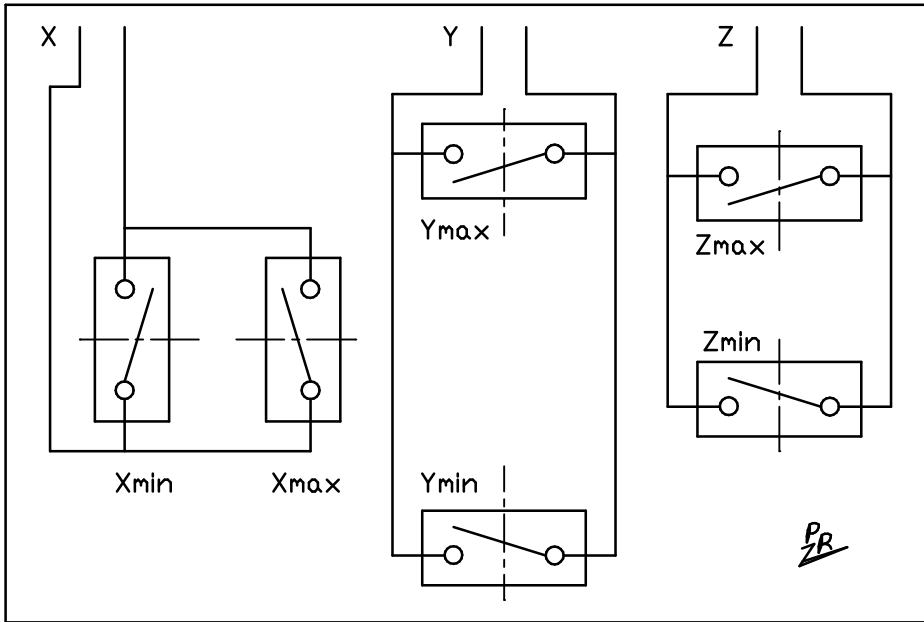


It exists two wiring methods for limit switches, which depends from the software you are using or their parameters.

We consider that limit switches are closed when we are on the limit, and that they ground signal line.

Option A/ both switches of each axis (X, Y or Z) are paralleled and the common line is grounded whatever end we are. There are six limit switches.



Option B/ All switches installed on maximum displacement are paralleled, and so is done for minimum displacement switches.

On each axis exists another switch, used to defined a starting position. There are 9 limit switches.

